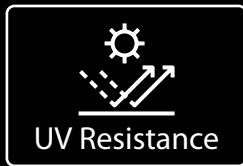
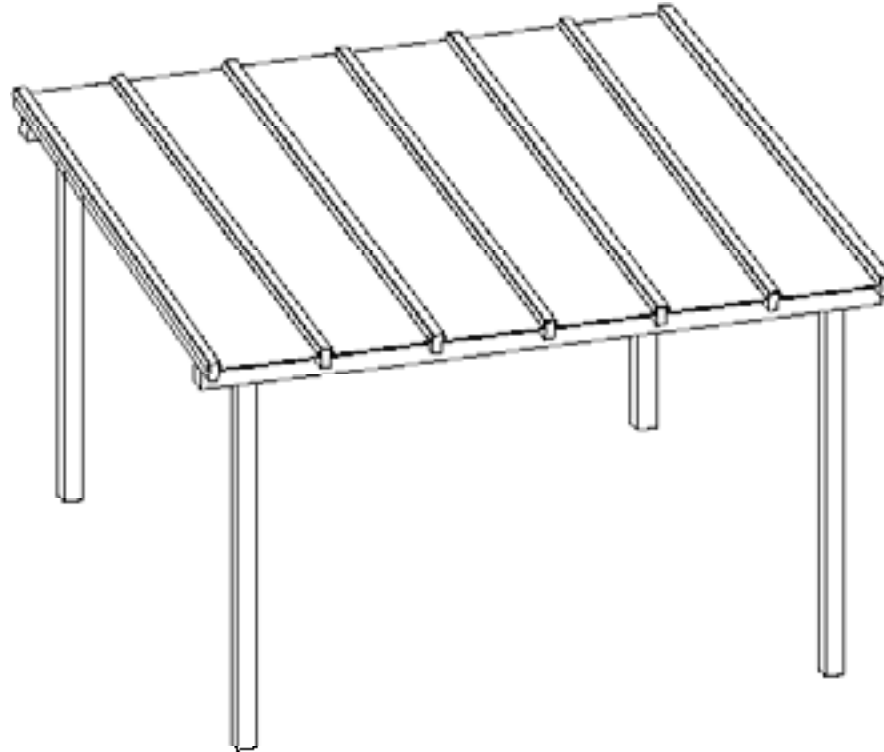




SUNTUF® EZ Glaze | Installation Guide



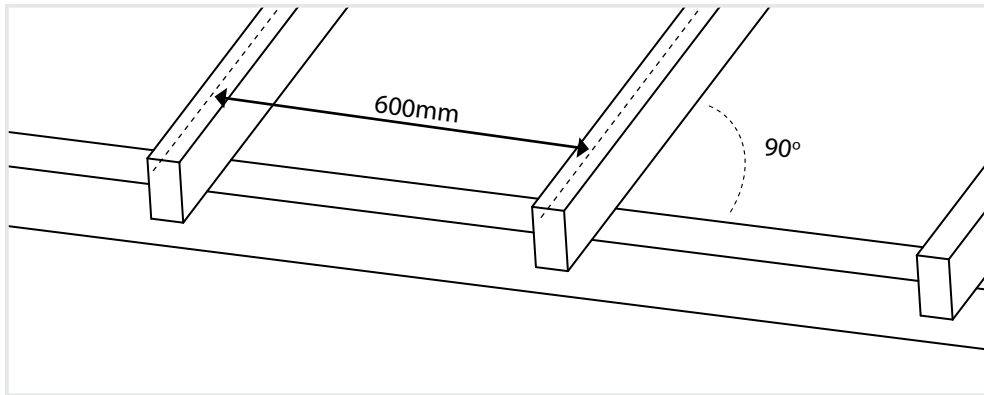
SUNTUF® EZ Glaze - Product Page



PALRAM Webseite

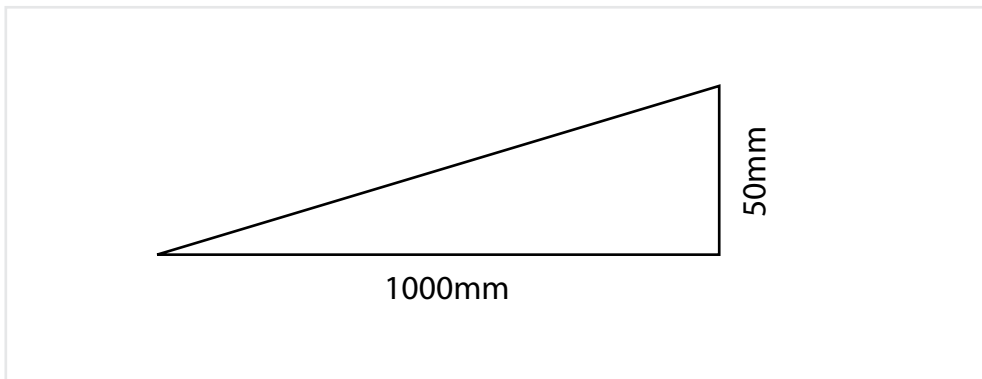
Installation

1 Rafter spacing



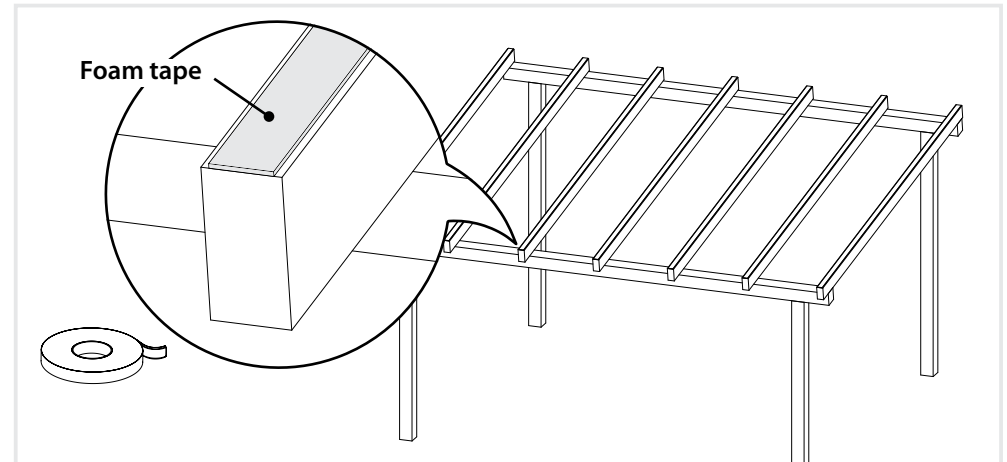
- Distance between rafters must be 600 mm (center to center).
- Make sure the rafters are perfectly perpendicular to the beams/wall.
- SUNTUF EZ Glaze requires rafters support only, no purlins are required.

2 Minimum Roof Slope



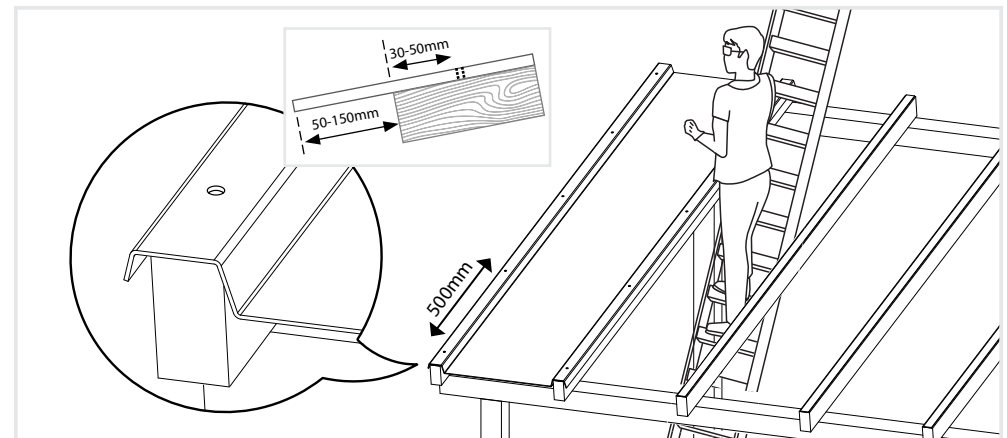
- To ensure proper water runoff, slope should be at least 5% (50mm rise over 1m length).

3 Foamed tape application (optional).



Applying foamed tape on each rafter will reduce friction due to thermal expansion.

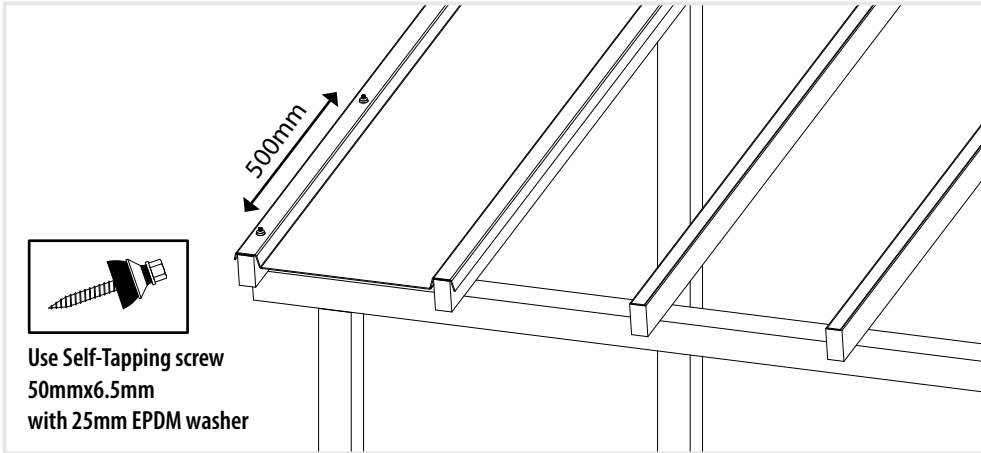
4 Placing the 1st SUNTUF EZ Glaze panel



- Place the first SUNTUF EZ Glaze panel on the rafters, leaving 50-150mm overhang.
- Pre-drill 10 mm holes along the outer corrugation, every 500mm.
- 1st and last drills should be located 30mm-50mm from the rafter's top and bottom edges.

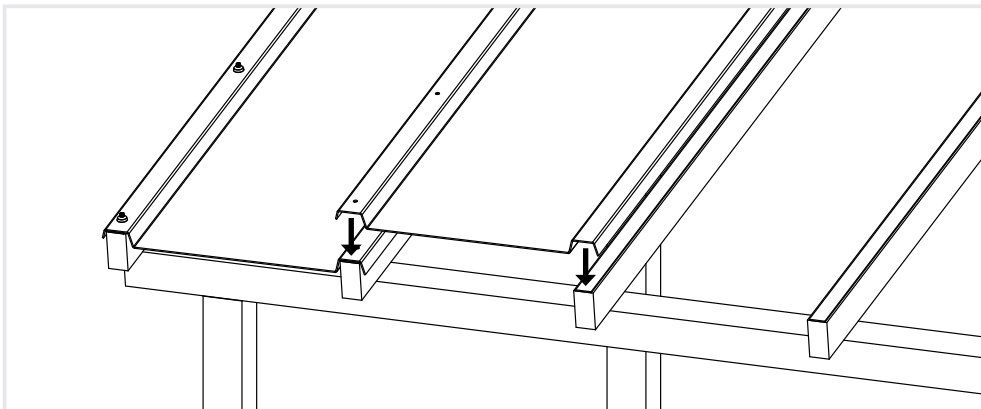
Installation

5 Fixing the 1st SUNTUF EZ Glaze panel



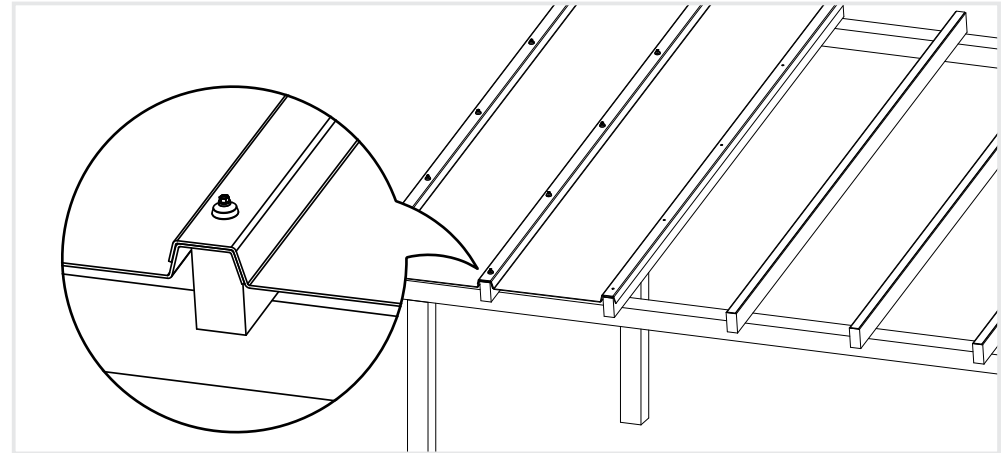
Fix the first SUNTUF EZ Glaze panel's outer corrugation, using specified screws and washers through the pre-drilled holes. Start at the bottom edge and work your way up.

6 Placing the 2nd SUNTUF EZ Glaze panel



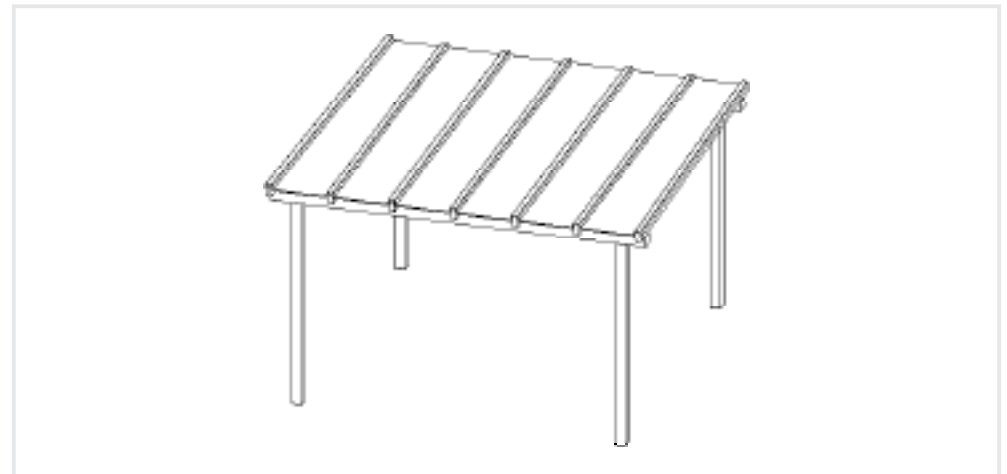
- Place the second panel, lateral overlapping the first one.
- Pre-Drill both panels together on the lateral overlap, every 500mm.

7 Fixing the 2nd SUNTUF EZ Glaze panel



Fix both panels overlap, using specified screws and washers through the pre-drilled holes. Start at the bottom edge and work your way up.

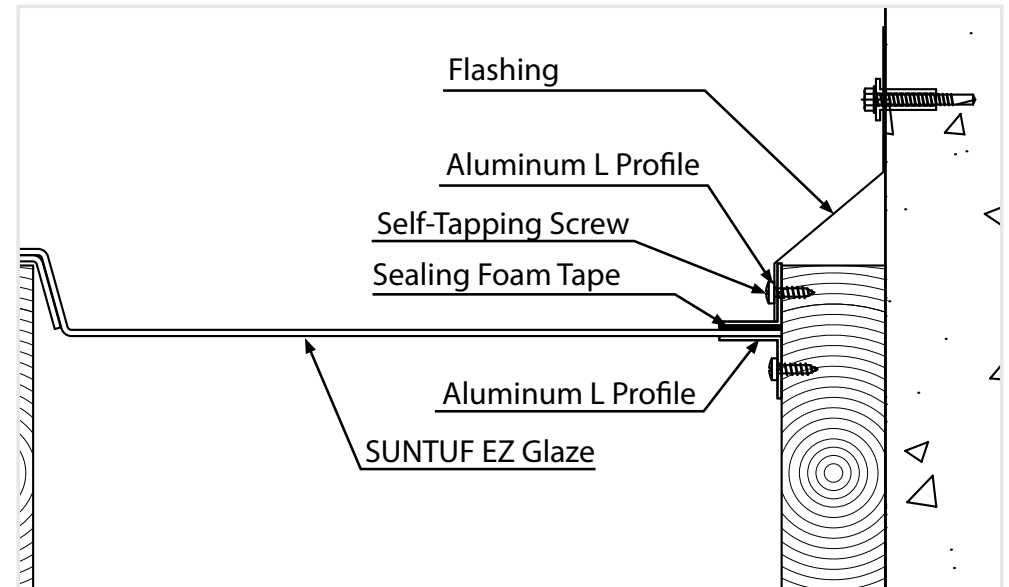
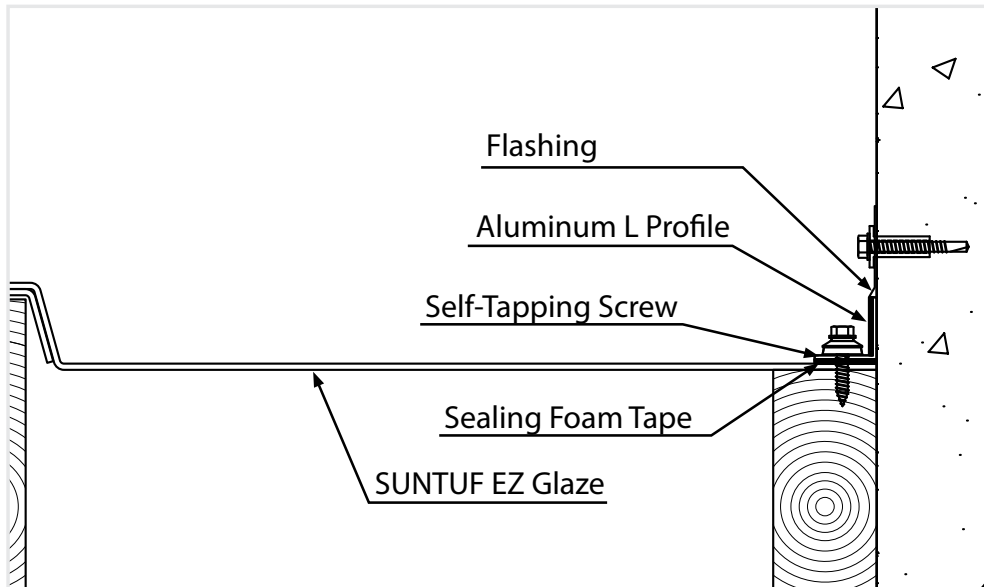
8 Completing the installation



Repeat stage 6 & 7 with the remaining panels.

Installation

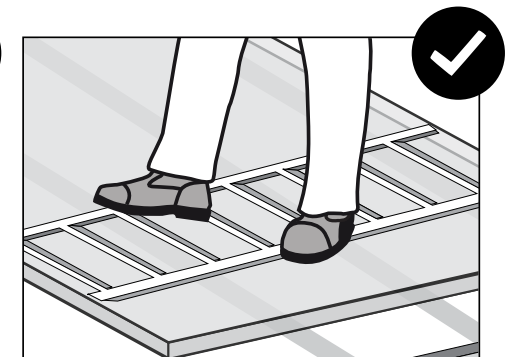
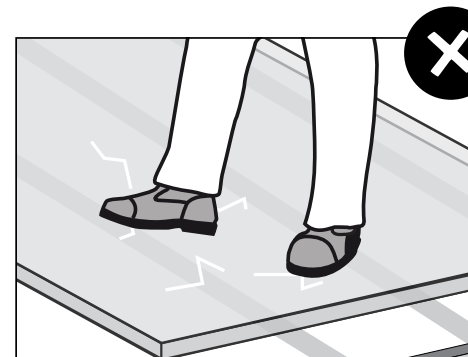
* Side Wall Flashing in case the panel is trimmed (Not supplied by Palram)



Safety comes first

Do not step directly on the sheets between the rafters!

When installing SUNTUF EZ Glaze or doing maintenance work, always use stepping ladders or crawling boards, supported by minimum three roof structural elements.



PALRAM H.Q.
Tel: +972 4 8459900
Fax: +972 4 8444012
palram@palram.com
www.palram.com

PALRAM EUROPE LTD.
Tel: +44 1302 380777
Fax: +44 1302 380788
sales.europe@palram.com

PALRAM AMERICAS
Tel: 610 2859918
Fax: 610 2859928
palramamericas@palram.com
www.palramamericas.com

